

DTK -31X Series ALARM DIALER SURGE PROTECTION



DTK-MRJ31XSCP-WP



DTK-1F31X



DTK-AC31X

DITEK's '31X' series of surge protectors are designed and built for professional alarm panel installers. The 1F31X protects the power and telephone line and has a center screw to secure the transformer to the surge protector and the receptacle. The MRJ31XSCP-WP is a universal "plug and play" device that protects the dialer on the alarm panel from surges on the telephone line. The AC31X is a hardwire device that is used when the transformer is remote from the panel and protects 24 volt power and the telephone line to the dialer.

| FEATURES | BENEFITS |
|--|---|
| 1F31X - 120 volt power and dialer protection | Easy installation when no telco ground at panel |
| AC31X - 24 volt power and dialer protection | Easy installation when transformer is remote from panel |
| MRJ31XSCP-WP - Dialer protection | Easy installation when telco ground available at panel |
| All self restoring components | Reduce / eliminate 'non-billable' service calls |



General Specifications - 31X Series

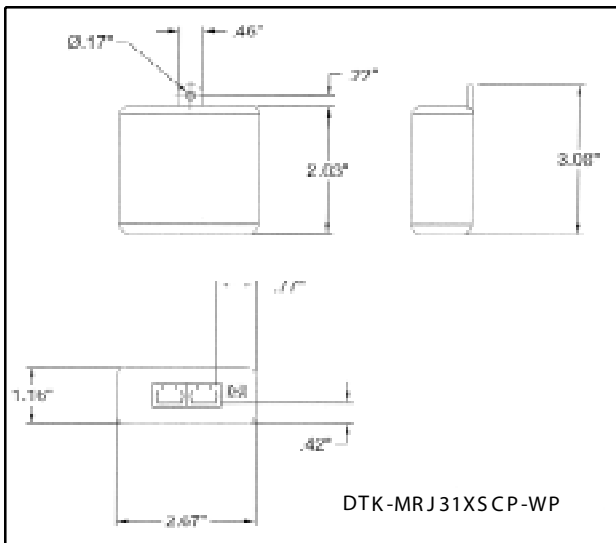
| Model # | | 1F31X | AC31X | MRJ31XSCP-WP |
|---------------------|-------|----------------|------------------------|--------------|
| Agency Approvals: | | N/A | Part 68FCC Compliant | UL497B |
| Service Voltage: | Power | 110-120V AC | 24VAC | N/A |
| | Telco | <105V AC | <105V AC | <105V AC |
| MCOV: | Power | 130VAC | 30VAC | N/A |
| | Telco | 130VAC | 130VAC | 130V AC |
| Continuous Current: | Power | 15 Amps | | N/A |
| | Telco | 0.150 Amps | 0.150 Amps | 0.150 Amps |
| Max Surge Current: | Power | 13,500 Amps | 200 Amps | N/A |
| | Telco | 240 Amps | 300 Amps | 9000 Amps |
| Protection Modes: | Power | L-N,L-G,N-G | L-G (all) | N/A |
| | Telco | L-G (all) | L-G (all) | L-G (all) |
| Connection Method | Power | NEMA5-15 plug | screw terminal | N/A |
| | Telco | screw terminal | screw terminal / RJ31X | RJ31X |

Warranty: Ten Year Limited Warranty

Dimension - 1F31X: 2.71"x1.85"x1.25" Weight: .25 lbs Housing: ABS

Dimension - AC31X: 4" X 1.75" X 1.25" Weight: .4 ozs Housing: ABS

Dimension - MRJ31XSCP-WP: 3.08"x2.67"x1.16" Weight: 0.44 lbs Housing: ABS



DTK-AC31X

